

ADP-90DCA

Single Output Adapter



Features:

- 90W Max. Continuous Output Power
- Output 18.5V in Charge Mode or 15V in NON-Charge Mode
- 4.6" × 2.1" × 1.3" Package Size
- Low Output Ripple and Noise
- Over-Voltage and Short Circuit Protection
- Built-in EMC Filter
- UL, E-Mark, C-Tick, CB Certified

All specifications are typical at nominal input, full load at 25 °C unless otherwise stated.

Electrical Specs

INPUT
Input Range 10 ~ 32V DC
Input Power 110W max. at continuous load
Inrush Current < 300A peak @ operating temp.

Shutdown Current Less than 100mA until start-up
UVP Protection Between 9V ~ 10V
Reverse Polarity Protection and not damage

OUTPUT
Maximum Power 90W Continuous
Total Regulation ± 4%
Output Current Max. Load 4.9A/18.5V (6A/15V)
Peak Load 5.4A/18.5V (6.4A/15V)
@ 5 second duration both modes
Noise & Ripple 380mV pk-pk or 250 mV RMS max.
Transient Response ±5% max. deviation
@ 90% step of full load
Capacitive Load 2200uF for system

Hold-up Time > 5ms @ Full load and 115VAC
Power On Time 5s max. @ 90 VAC or 10VDC

OVP Protection shall not exceed 29 volts
Short Protection Auto-restart mode
OCP Protection 8A Maximum

Safety

UL UL60950
CB IEC60950-1:2001
C-Tick AS/NZS3548
E-Mark ECE-R10



General

Switching Freq. 100KHz fixed
Isolation Voltage 2150 Vdc
Weight 0.525Kg (1.157 lbs.) max
MTBF Upon request
Warranty Info 1 year

Environmental

Operating Temp 5°C~40°C
Storage Temp -20°C~85°C
Temp. Derating Decrease to 66% load
from 40°C to 80°C
Relative Humidity 5%~95% RH non-condensing
Vibration 1.5G, 5~500Hz
@ three orthogonal axes
Shock 100G peak
RoHS Compliant

EMC

Conducted Emissions EN55011, Class B
Radiated Emissions EN55022, Class B

Amperor Inc.
11320 Neeshaw Dr.
Houston, TX 77065
1-281-807-3320
<http://www.amperor.com>

Amperor Europe Ltd.
30 Ballot Road
Irvine KA12 OHW Scotiand U.K
44-(0)-1294-272400

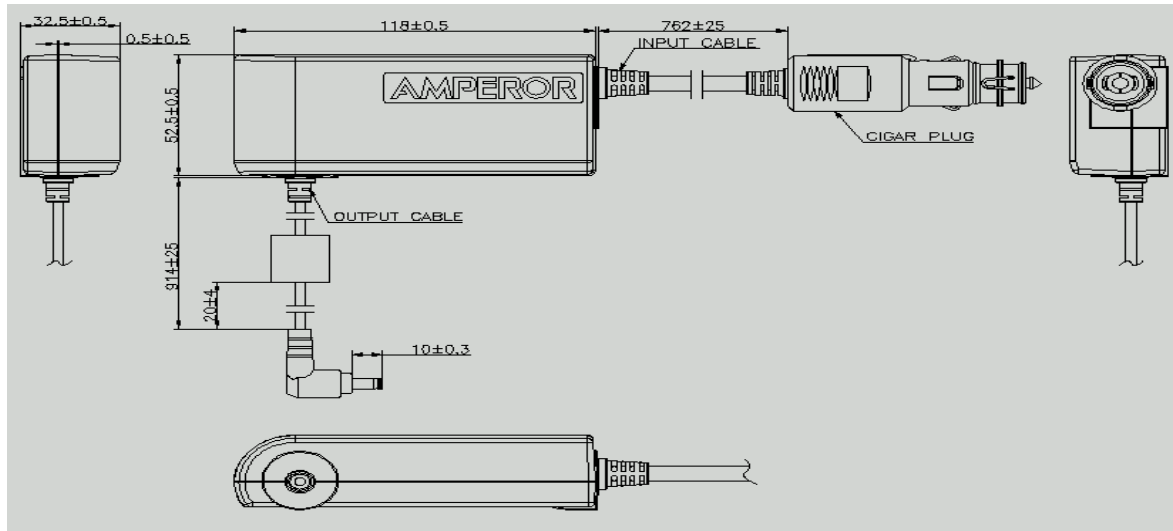
Intertek Corp, an Amperor Company
4th, Fl, Far East World Centre
Hsin Tai Wu Road, Hsin-Chih, Taipei, Taiwan R.O.C
886-2-2698-2239

ADP-90DCA

Single Output Adapter



Mechanical Information



- Note: 1.All dimensions in mm(inches)
2.Detailed mechanical drawing upon request

De-Rating Curve

Power vs. Ambient Temperature Curve is upon request

DataSheet @ Amperor, Inc. @ 2008

The information and specifications contained in this datasheet are believed to be accurate at time of publication. Specifications are subject to change without notice.