

ANP206 Series -277V

Single Output Channel, UL 8750
CV / CC ModeLED Driver



Features and Applications:

- One 200W DC Output
- Can Operate in either CC or CV Mode (See Page 2 for details)
- High Output Efficiency Design (Typ. > 90%)
- Active Power Factor Correction
- Built For Outdoor Wet, Damp or Indoor Dry Applications
- Silicone Encapsulated For Wet Locations
- Rugged & Splash Proof Aluminum Case - IP67 Rated
- Built-in EMI Filter For Low Noise
- Over-Current and Over-Voltage Protection with Auto-Recovery

All specifications are typical at nominal input, full load, at 25°C unless otherwise stated.

Electrical Specifications

INPUT

| | |
|---------------------------|--|
| Rated Input Voltage Range | 100 - 277Vac, 47 - 63Hz |
| Input Current | max. 2.8A@115Vac/60Hz,full load |
| Inrush Current | 80A @ 230Vac / 60Hz, full load, cold start |
| Leakage Current | 0.5mA max @ 277Vac |
| Power Factor | ≥0.9 at 50% to full load, over entire rated input range ≥0.99 at 1full load, 115V/60Hz |
| THD | <20% @ 80% load, 277Vac |

OUTPUT

| | |
|---------------------------|--------------------------|
| Output Current Regulation | 5% |
| Ripple & Noise | < 1% of Vout |
| Efficiency | See Table 1 @ Page 2 |
| Over Voltage Protection | <130% nominal voltage |
| Short Circuit Protection | Shutdown & Auto Recovery |
| OTP Protection | 115°C ± 5°C @ Case Temp. |
| Start-up Time | < 2 sec. |

Safety Certifications


UL UL8750, UL1310 (Wet Location)
E file#: E328880



General Specifications

| | |
|----------------------|--|
| Isolation Voltage | 3000V AC |
| Weight | 2.0Kg (4.4lbs.) max. |
| Warranty Info / MTBF | Contact Amperor for detailed warranty and MTBF information |
| Robust Design | Guaranteed Full Load at 60° C Derate to 50% at 80° C UL Wet Location |

Environmental Specifications

| | |
|-------------------|---|
| Operating Temp. | -30°C to +70°C full load |
| Derating Temp. | Derate to 50% load at +80°C |
| Storage Temp. | -40°C to +85°C |
| Relative Humidity | 5% to 95% (non-Condensing) |
| Enclosure | Outside case sealed per IP67 |
| Cooling | Conduction |
| RoHS | Compliant  |

EMC

| | |
|---------------------|---|
| Conducted Emissions | EN55015,FCC part 15 level B |
| Radiated Emissions | EN55015,FCC part 15 level B |
| Surge Protection | EN61000-4-5, Level 2 L-N: 1KV, L/N-PE: 2KV |

Amperor Inc.
11320 Neeshaw Dr.
Houston, TX 77065
1-281-807-3320
<http://www.amperor.com>

Amperor Adelmann GmbH
Hanns-Martin-Schleyer- Strasse 30,
47877 Willich, Germany
+ 49 2154 8168900

Intertek Corp., an Amperor Company
4th, Fl, Far East World Center
Xintai 5th Rd., Xizhi Dist.,
New Taipei City, 22101, Taiwan R.O.C.
886-2-2698-2239

ANP206 Series -277V

Single Output Channel, UL 8750,
CV / CC Mode LED Driver

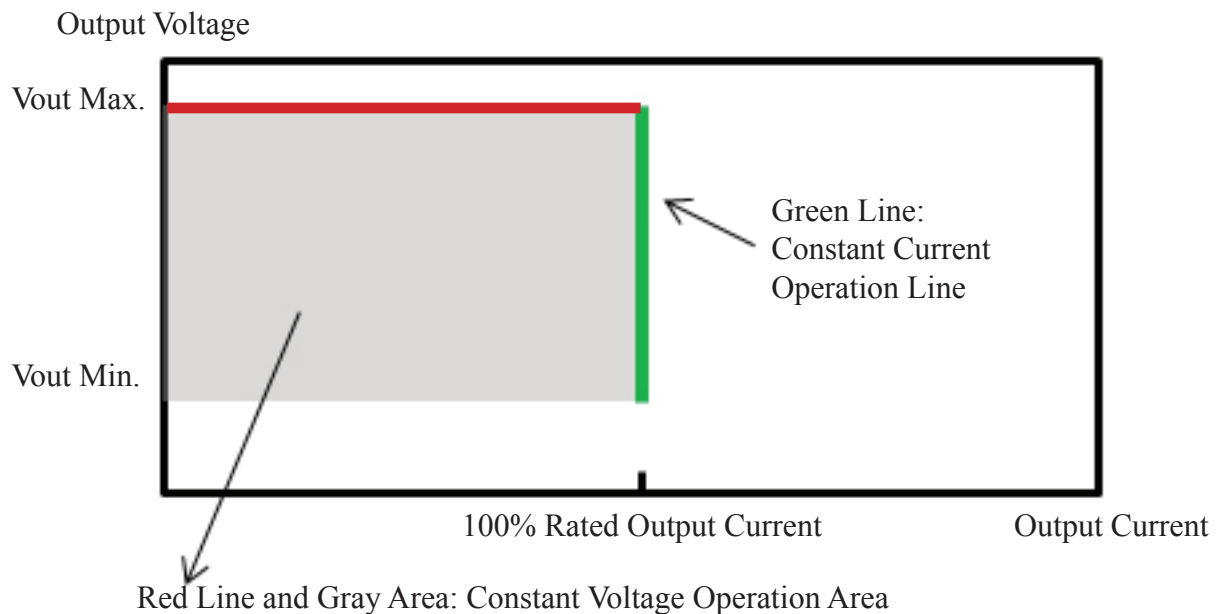


Order Information

Table1: Model vs. Output Specifications

| Model | Max. Output Voltage (V) | Rated Output Current (A) | Output Voltage Range (V) | Max. Output Power (W) | Min. Efficiency (115Vac input 100% load) | Min. Efficiency (230Vac input 100% load) |
|-----------------|-------------------------|--------------------------|--------------------------|-----------------------|--|--|
| ANP206-24P1-277 | 24 | 8.33 | 17 ~ 24 | 200 | 88.00% | 90.00% |
| ANP206-30P1-277 | 30 | 6.66 | 23 ~ 30 | 200 | 88.50% | 90.00% |
| ANP206-36P1-277 | 36 | 5.55 | 28 ~ 36 | 200 | 89.00% | 91.00% |
| ANP206-48P1-277 | 48 | 4.16 | 37 ~ 48 | 200 | 90.50% | 92.00% |

Constant Current / Constant Voltage Operation



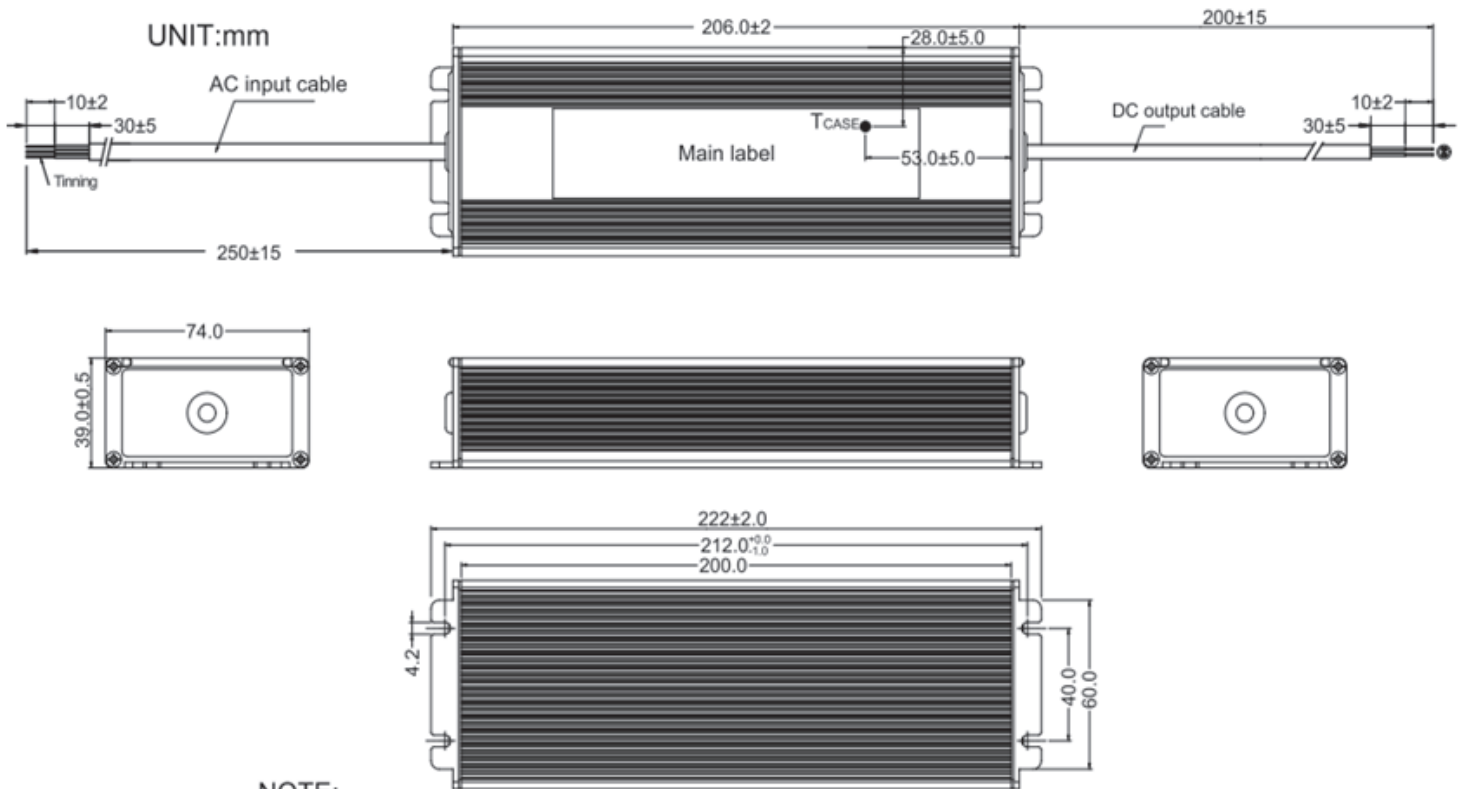
1. If the current draw from the load is equal to the rated output current of the driver, the driver will operate in CC mode. (on the **Green Line** above)
2. If the current draw from the load is less than the rated output current of the driver, the driver will operate in CV mode. When working with the CV mode LED light tube / module / strip, the driver operates on the **Red Line** above. Please contact Amperor for detailed explanation.

ANP206 Series -277V

Single Output Channel, UL 8750
CV / CC Mode LED Driver

AmperorTM
power by design

Mechanical Drawing



NOTE:

1. AC input cable:UL2517 18AWG*3C[white(L) ,black(N) , yellow/green(G)];
2. DC output cable:UL2517 16AWG*2C(red,black);
3. Tcase is CASE's Max temperature.
4. Other ALL TOLERANCE: ±0.5